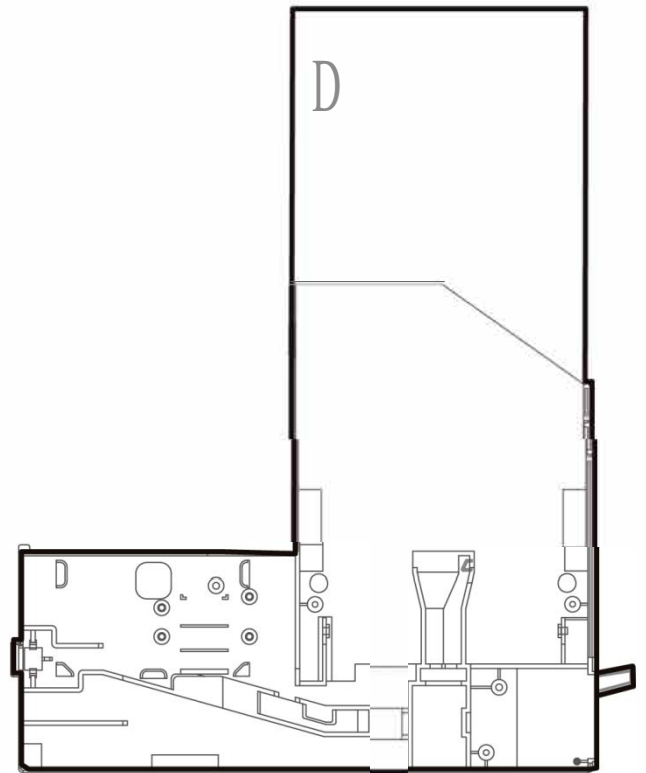


MUTOH

High-Capacity Ink Pack Adapter

Operation Manual



Read This Manual Before Using The Product



Table of Contents

1 Introduction	3
1.1 Purpose of This Manual and Its Target Readers	3
1.2 Safety Instruction	3
1.3 Warning label	4
1.3.1 Precautions on handling the warning label.....	4
1.3.2 Warning label location and type	5
2 Checking the Contents	6
2.1 Contents in the Box	6
3 How to Use	7
3.1 Installing Ink Bags	9
When High-Capacity Ink Pack Adapter is removed from Printer	15
Replacing Adapter's Plug	18

1 Introduction

1.1 Purpose of This Manual and Its Target Readers

This manual describes how to use the MUTOH High Capacity Ink Pack Adapter.

This manual is prepared for the users of this product.

Before using this product, make sure to fully understand the contents and directions in this manual.



CAUTION

- **The product and the information contained herein are subject to change without notice.**
- **MUTOH has made the best efforts to keep this document free from error, but if you find any uncertainties or misprints, please call us or the shop where you purchased this product.**
- **STS shall not be liable for any damages or troubles resulting from the use of this product or this manual.**

1.2 Safety Instruction

The contents of warnings are categorized into the following 2 types depending on the degree of risk (or the scale of the accident).

Make sure to understand the meaning of the following warning terms, and follow the instruction in this manual.

Safety terms	Details
 CAUTION	Failure to follow the guidelines could result in minor or moderate injury or damage to the product.
 NOTE	Used for the information that needs special attention or highlights.

1.3 Warning label

This section explains the handling of the warning label, labeling position, and type of label.

The warning label is applied to the product in place where special attention is required.

Please ensure that you understand the exact labeling position and the contents of the danger before operating this product.

1.3.1 Precautions on handling the warning label

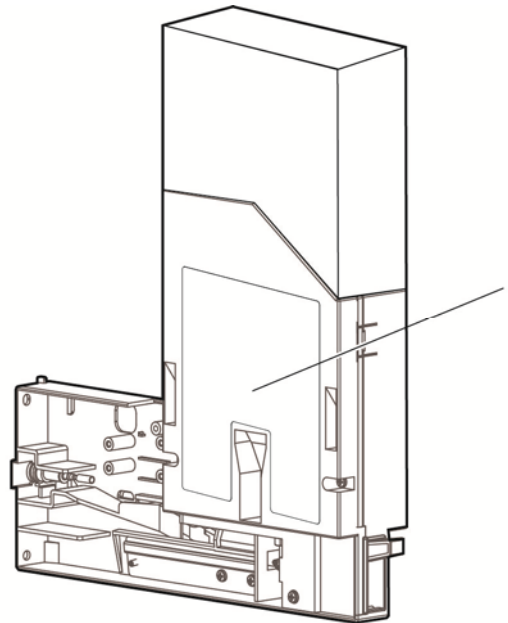
Please pay attention to the points listed below when handling the warning label.

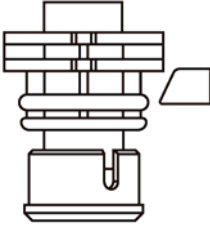
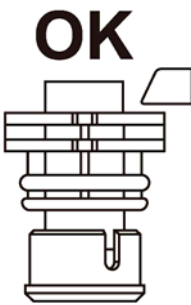
NOTE

- Make sure you can read all the contents on a warning label.
If some of words or diagrams cannot be read, please clean the label.
 - To remove dirt from the warning label, please use a cloth, water, and mild detergent.
Do not use organic solvents or gasoline to clean the label.
 - It is necessary to replace the label if damaged, lost or illegible.
If the warning label needs to be replaced, contact to your local MUTOH dealer.
-

1.3.2 Warning label location and type

The diagram below indicates the location of the warning label.



No.	Type of warning label
1	<div style="border: 2px solid black; padding: 10px;"> <div style="background-color: yellow; text-align: center; padding: 5px;"> CAUTION 注意 </div> <div style="display: flex; justify-content: space-between; margin-top: 10px;"> <div style="width: 48%;"> <ul style="list-style-type: none"> ◆本製品取付け時の機体状態 VJ16、19、26シリーズはカートリッジ横挿し状態にしてから本製品をセットしてください。縦挿し状態でセットすると以下の症状が発生する場合があります。 ※インク残量を正しく検知しない場合があります。 ※インク漏れが発生する場合があります。 ◆インクパックを奥まで押し込み、ロックしている事を確認してください。 ※正しくロックされていないとインク漏れが発生します。 ◆インク充填済のプリンタで初めて使用する際は、初期充填を実施してください。 初期充填をしない場合、気泡によるノズル抜けを起こす場合があります。 ◆パックのみの脱着 本体の電源が入っている状態で本製品から、インクパックを抜かないでください。 ※そのスマートチップは使用不可となります。 ◆アダプタープラグ交換 パネルの警告に従いアダプタープラグを交換して下さい。 ※パネル警告後、同じアダプタープラグを使い続けるとインク漏れが発生する場合があります。 </div> <div style="width: 48%;"> <ul style="list-style-type: none"> ◆ Conditions for Product use: Contact dealer for printer compatibility - be sure cartridge holder is in the horizontal position. Inserting the ink pack and adapter with the cartridge holder in a vertical position will result in the following cases, ※Remaining ink volume discrepancies. ※Ink leakage ◆ When inserting new ink packs: Confirm ink pack is fully seated by checking the lock mechanism is at the top of the ink delivery neck through the observation window, see proper placement in image below. Be sure to perform an initial ink charge to remove air bubbles that can form in tubing of the adapter. ◆ Do <u>NOT</u> insert/remove Ink Bag Only from printer: When replacing ink packs, always power down printer, then remove entire adapter assembly from the printer. <u>Caution</u> - Smart Card will become corrupted if ink pack is removed from the adapter with power on. ◆ Adapter Plug: According to the panel warning, replace the adapter plug. ※If the same adapter plug is used continuously after the panel warning is displayed, ink leakage may occur. </div> </div> <div style="display: flex; justify-content: space-around; margin-top: 20px;"> <div style="text-align: center;">  <p>NG</p> </div> <div style="text-align: center;">  <p>OK</p> </div> </div> </div>

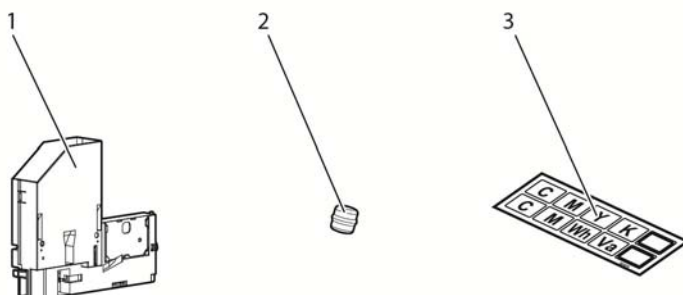
2 Checking the Contents

After unpacking the packing box, check that the printer is not damaged and all necessary parts are included.

NOTE

- After checking, if the printer is damaged or some parts are missing, contact your local MUTOH dealer.

2.1 Contents in the Box



No.	Part Name	Quantity	No.	Part Name	Quantity
1	High-capacity ink pack adapter	6	2	Adapter's plug	20
3	Ink color label	1			
	Operation Manual (this manual)				

3 How to Use

This section describes how to use this product.

3.1 Installing Ink Bags

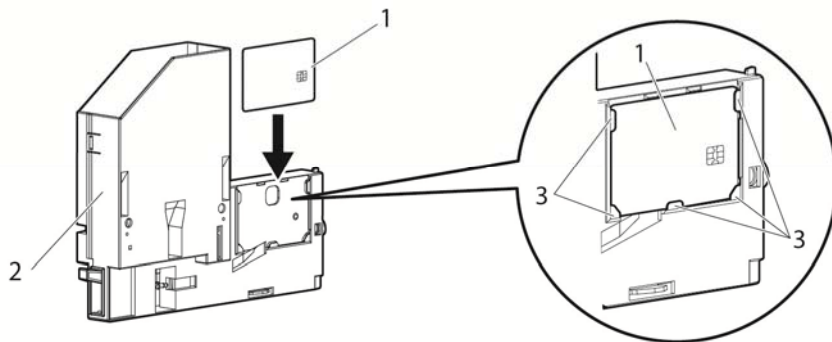
Follow the procedure below to install the ink bags.

1. Prepare the high-capacity ink pack adapters.

NOTE

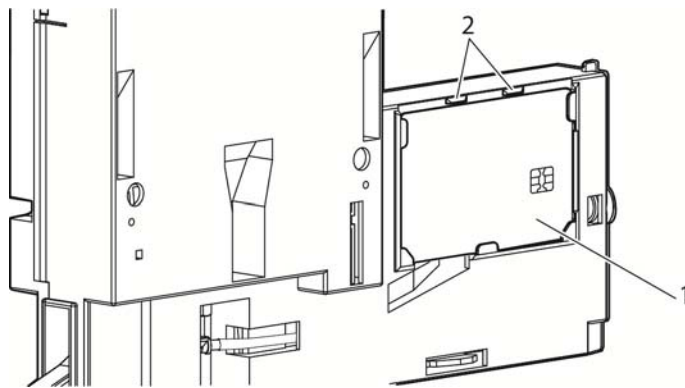
- When removing the high-capacity ink pack adapter from the printer, refer to the Operation Manual of the printer.

2. Take out the ink bag and smart chip card from the bag.
3. Install the smart chip card to the high-capacity ink pack adapter as shown in the illustration.
 - Slide the smart chip card into the tabs of the adapter.



No.	Part Name
1	Smart chip card
2	High-capacity ink pack adapter
3	Tabs

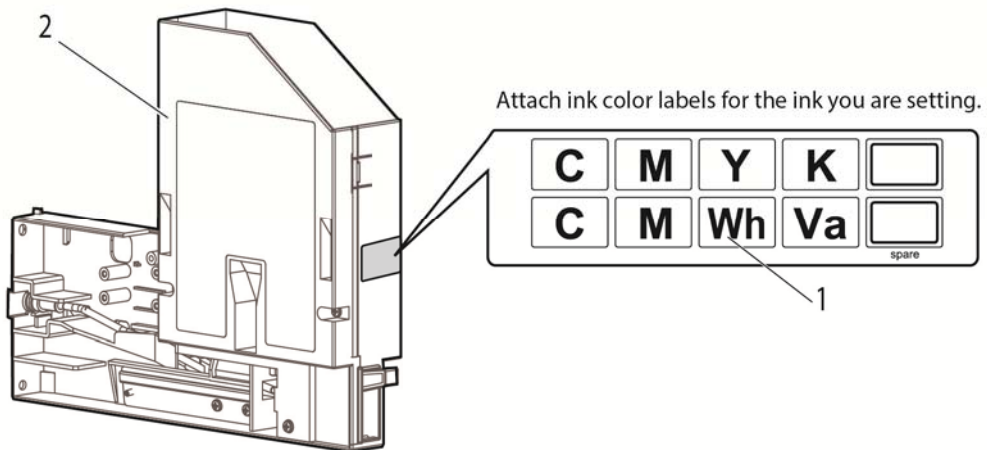
4. Make sure that smart chip card is fully inserted in place so that the card does not cover the top tabs.



No.	Part Name
1	Smart chip card
2	Top tabs

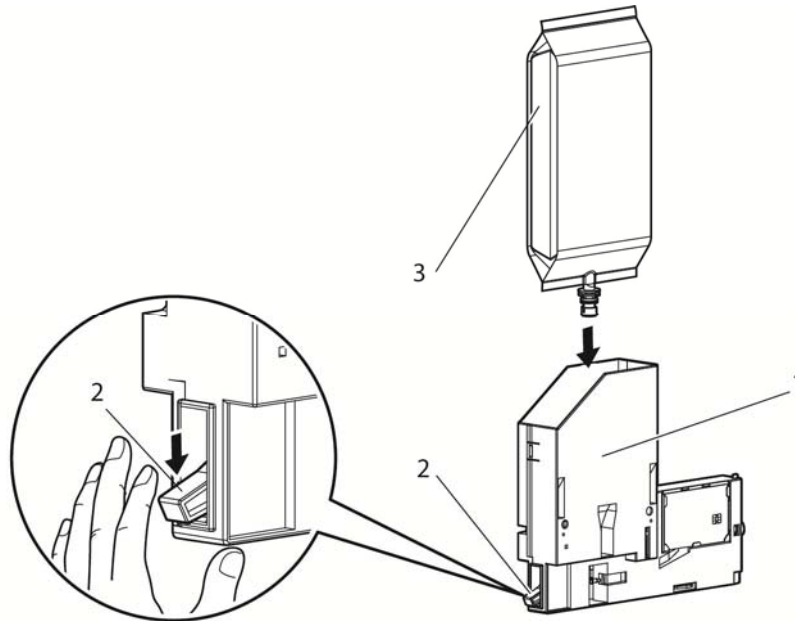
5. Attach ink color labels to high-capacity ink pack adapters as shown in the illustration below unless they have been installed prior.

- Use "spare" labels to write down ink color when needed. STS



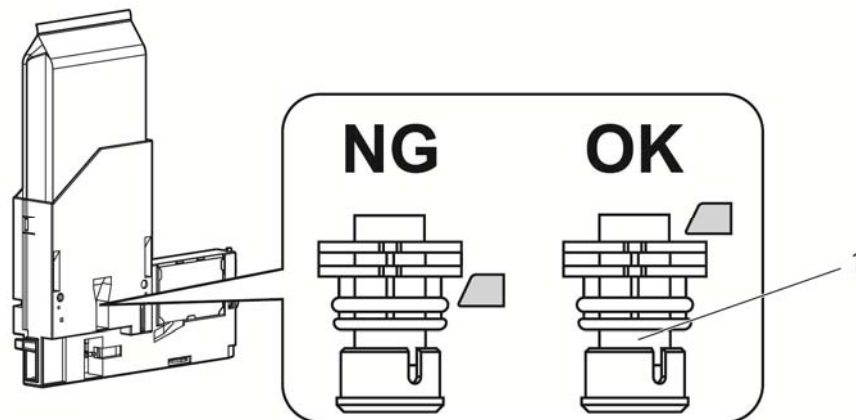
No.	Part Name
1	Ink color label
2	High-capacity ink pack adapter

6. While lowering the lock lever of the high-capacity ink pack adapter, insert an ink bag.
 - a) Make sure to fully insert the ink bag into the high-capacity ink pack adapter.



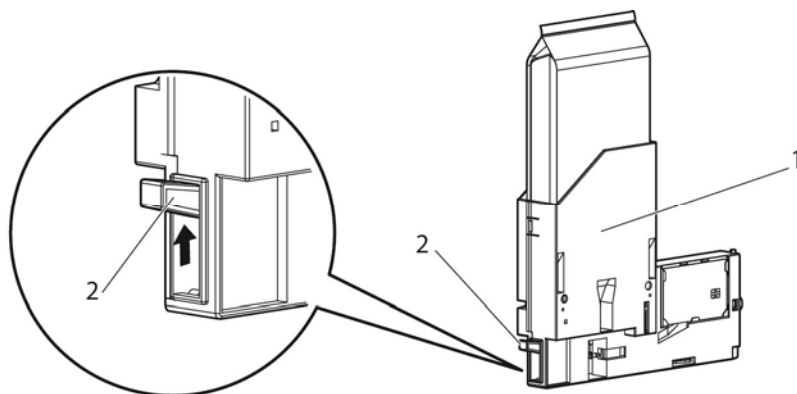
No.	Part Name
1	High-capacity ink pack adapter
2	Lock lever
3	Ink bag

- b) Confirm ink bag is fully seated by checking the lock mechanism is at the top of the ink delivery neck through the observation window, see proper placement in image below.



No.	Part Name
1	Ink bag

7. Make sure that the lock lever of the high-capacity ink pack adapter is back to its original position.



No.	Part Name
1	High-capacity ink pack adapter
2	Lock lever

NOTE

- After inserting an Ink bag to the high-capacity ink pack adapter, if the lock lever does not return to its original position, push up the lever with your finger. If it still does not return, insert the ink bag again.

CAUTION

- **If the ink pack adapter is left with the lock lever down, it may cause ink leakage.**

9. Step 1 through Step 7 to install smart chip card, ink bag to the rest of high-capacity ink pack adapters. Install the high-capacity ink pack adapters to the printer.

NOTE

- To install high-capacity ink pack adapters to the printer, refer to the Operation Manual of the printer.
 - Once the adapter is installed to the printer, always use it in the same ink slot.
If not, it may cause ink leakage or ink mixture.
-

3.2 When High-Capacity Ink Pack Adapter is removed from Printer

When the high-capacity ink pack adapter is removed from printer, follow the procedures below to wipe off the ink.

 **CAUTION**

- **Make sure to wipe off the ink adhering to the ink pack adapter when removing from the printer.
If not, the ink may be attached to the printer.**

(1) Items to Prepare

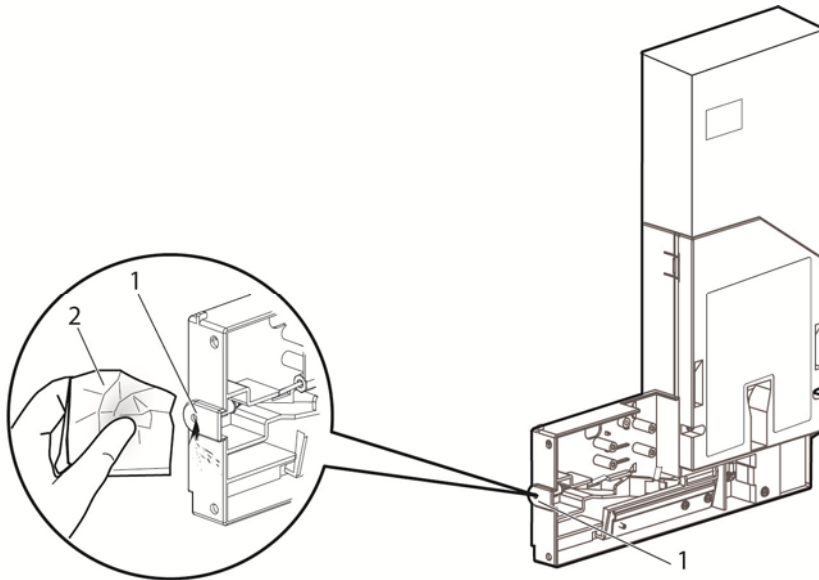
- Rubber Gloves: Supplied with Printer (Commercially available solvent-resistant gloves can be used as an alternative.)
- Plastic Gloves: Supplied with Printer (Commercially available solvent-resistant gloves can be used as an alternative.)
- Goggles or Protective Glasses: Supplied with Printer (Commercially available goggles can be used as an alternative.)
- Protective Clothing (Commercially available)
- Paper Towel (Lint-free cloth): Supplied with Printer (Commercially available lint-free cloth can be used as an alternative.)
- Cleaning Stick: Supplied with Printer (Commercially available tissue can be used as an alternative.)

 **CAUTION**

- **When performing this cleaning, be sure to wear the gloves supplied with the printer and goggles.**

(2) Operation Procedures

1. Wear plastic gloves, rubber gloves, goggles and protective clothing.
2. Check if the printer is turned on.
3. Remove the high-capacity ink pack adapter from the printer.
4. Wipe off the ink adhering around the inlet of high-capacity ink pack adapter using the paper towel supplied with the printer (or commercially available tissue).

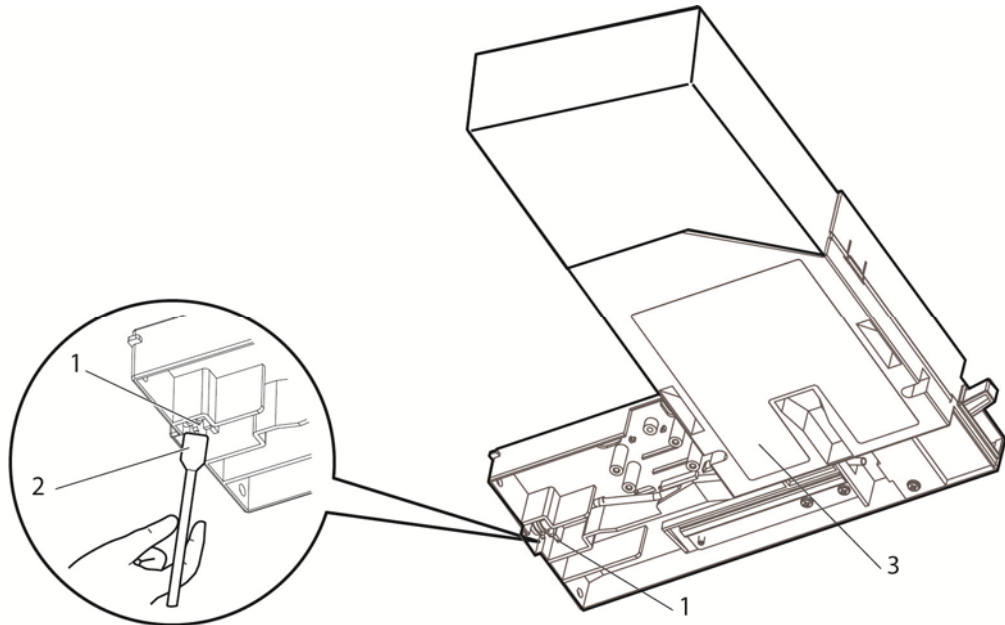


No.	Part Name
1	Inlet
2	Paper towel

NOTE

- During the cleaning, make sure that no dirt gets adhered to the inlet of the high-capacity ink pack adapter.
 - If dirt gets adhered, use the paper towel supplied with the printer to wipe it off.
-

5. Tilt the high-capacity ink pack adapter as shown in the figure below to absorb ink using the cleaning stick supplied with the printer (or commercially available tissue with sharp-edged).
- Tilt the high-capacity ink pack adapter so that the inlet to be pointed downward a little.
 - Tilt the high-capacity ink pack adapter with the caution label side down.
 - Absorb the ink remained around the tube connector.



No.	Part Name
1	Tube connector
2	Cleaning stick
3	Caution label

6. Install the high-capacity ink pack adapter to the printer.

NOTE

- To install high-capacity ink pack adapters to the printer, refer to the Operation Manual of the printer.
- Once the adapter is installed to the printer, always use it in the same ink slot.
If not, it may cause ink leakage or ink mixture.

3.3 Replacing Adapter's Plug

(1) When to replace

When "[*****] Change Plug" is displayed on the Operation panel;

- Adapter's plug of high-capacity ink pack adapter needs to be replaced.
- Warning buzzer beeps.
To stop the buzzer, press the [Enter] key on the operation panel.
- Replace with a new adapter's plug.

NOTE

- [*****] on the message indicates the ink slot number that the adapter's plug of the installed high-capacity ink pack adapter needs to be replaced.
The message varies depending on the printer model. For details, refer to the Operation Manual of the printer.
- If you do not have a spare adapter's plug, keep the high-capacity ink pack adapter inserted in the printer, but replace the plug as soon as possible.
Leaving the printer without high-capacity ink pack adapter can clog the Head.



CAUTION

- **Using the printer without replacing adapter's plug can cause ink leakage.**

(2) What to prepare

- Rubber Gloves: Supplied with Printer (Commercially available gloves can be used as an alternative.)
- Plastic Gloves: Supplied with Printer (Commercially available gloves can be used as an alternative.)
- Goggles or Protective Glasses: (Commercially available goggles can be used as an alternative.)
- Protective Clothing (Commercially available)
- Fine-tipped tool (such as precision screwdrivers): Commercially Available
- Adapter's Plug: Included with the printer
- Paper Towel (Lint-free cloth): Supplied with Printer
(Commercially available lint-free cloth can be used as an alternative to paper towel.)
- Cleaning Stick: Supplied with Printer
(Commercially available tissue can be used as an alternative to paper towel.)

NOTE

- When the included adapter's plugs have run out, contact your local MUTOH dealer.
-

CAUTION

- **When replacing the adapter's plug, be sure to wear gloves and goggles.**
-

(3) How to replace

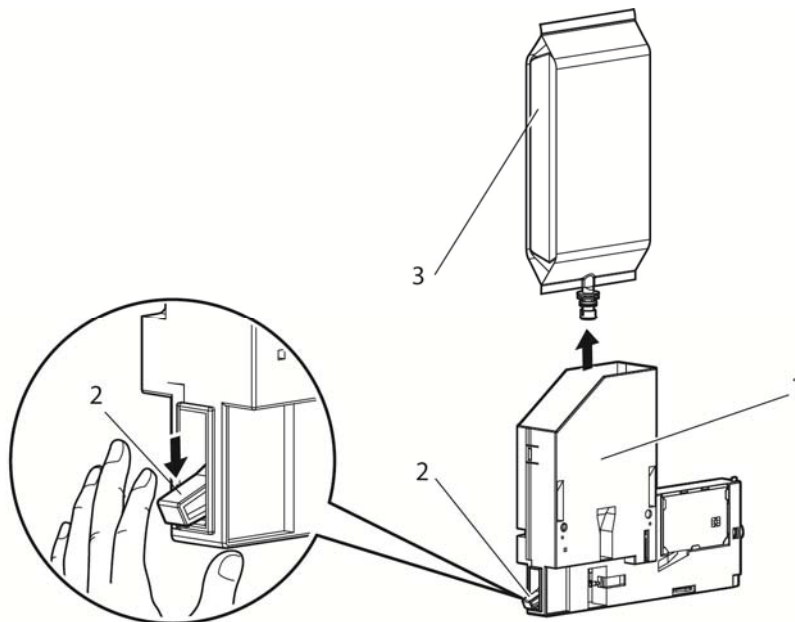
Follow the procedure below to replace Adapter's plug.

1. Wear plastic gloves, rubber gloves, goggles and protective clothing.
Refer to the Operation Manual of the printer for how to wear.
2. Make sure that the printer is turned ON.
3. Remove High-capacity ink pack adapter to be replaced from the printer.
4. Wipe off excess ink on the high-capacity ink pack adapter.

NOTE

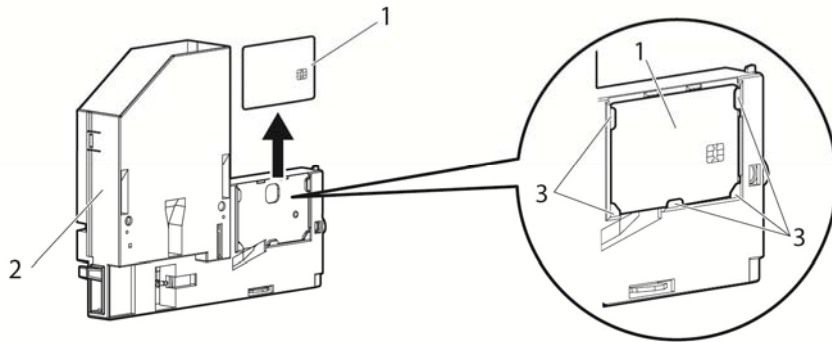
- During replacement, be careful so that no dirt gets adhered to the inlet of the high-capacity ink pack adapter.
- If dirt gets adhered, use the paper towel to wipe it off.

5. Lower the lock lever on the high-capacity pack adapter and detach the ink bag.



No.	Part Name
1	High-capacity ink pack adapter
2	Lock lever
3	Ink bag

7. Remove the smart chip card from the high-capacity pack adapter.

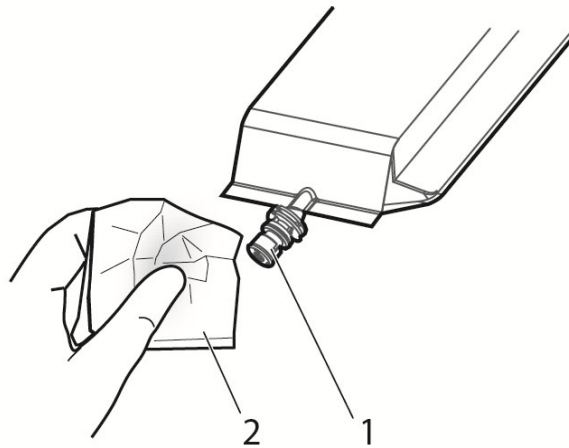


No.	Part Name
1	Smart chip card
2	High-capacity ink pack adapter
3	Tabs

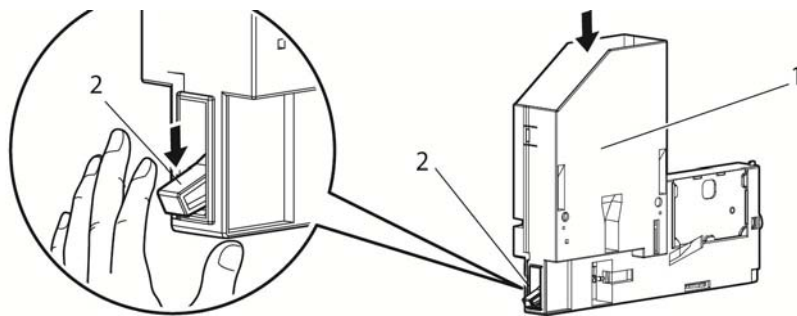
NOTE

- Once removed, keep the ink bag and the smart chip card together in the same place.

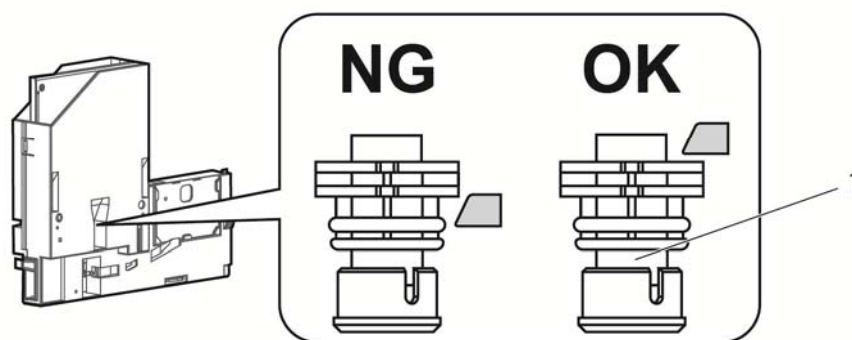
8. Wipe off the ink adhering around the inlet of ink bag using the paper towel supplied with the printer (or commercially available tissue).



No.	Part Name
1	Inlet
2	Paper towel



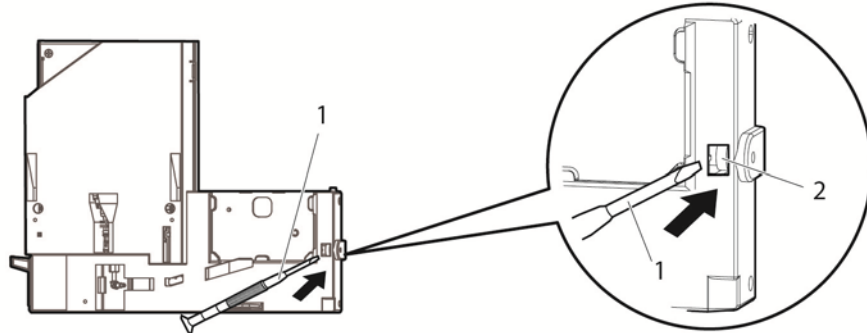
No.	Part Name
1	High-capacity ink pack adapter
2	Lock lever



10. Use a fine-tipped tool to push out the tube connector from the left gap of the high-capacity ink pack adapter.

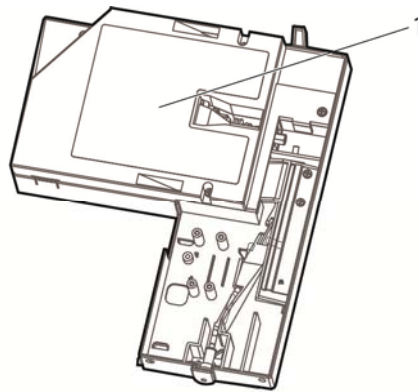
NOTE

- When pushing the tube connector, be careful not to damage it with the tool.



No.	Part Name
1	Fine-tipped tool
2	Tube connector

11. Lay the high-capacity ink pack adapter sideways gently with the caution label side up.

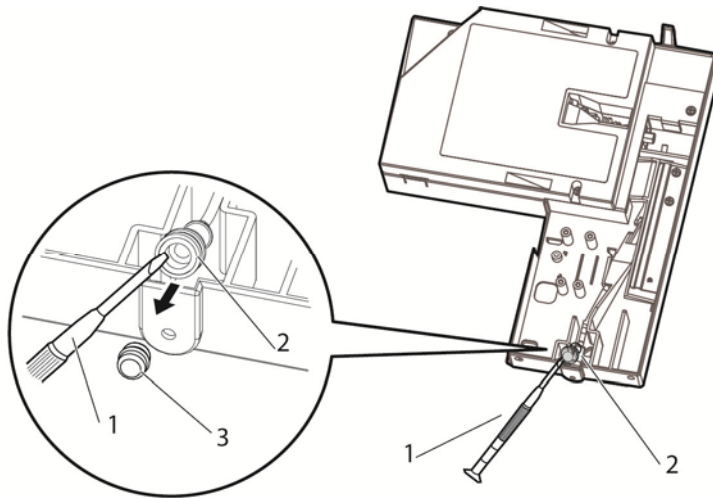


No.	Part Name
1	Caution label

12. Use a fine-tipped tool to remove the adapter's plug from the tube connector.

NOTE

- Do not bend the tube connected to the tube connector as much as possible. The tube may be broken.
- When removing the adapter's plug, do not face the opening of tube connector downward. The remaining ink in the tube may leak.

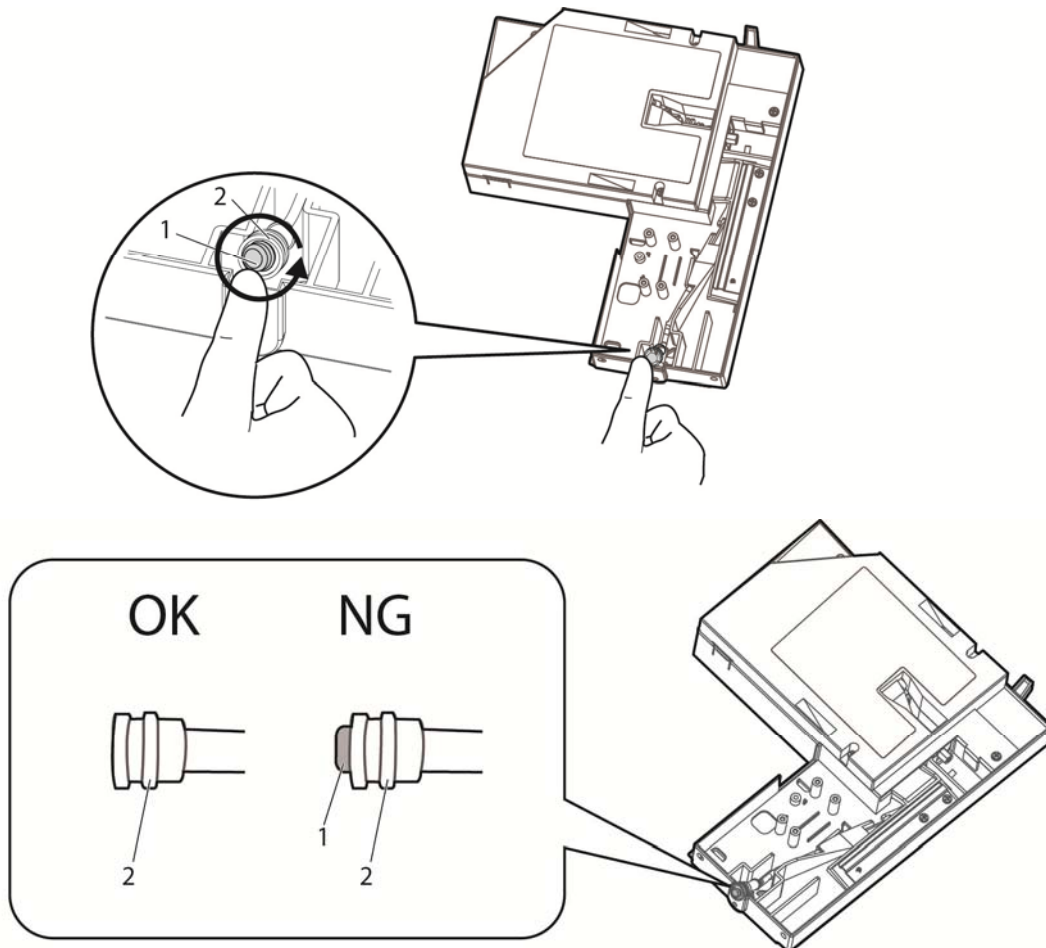


No.	Part Name
1	Fine-tipped tool
2	Tube connector

13. Push a new adapter's plug into the tube connector about a half way.

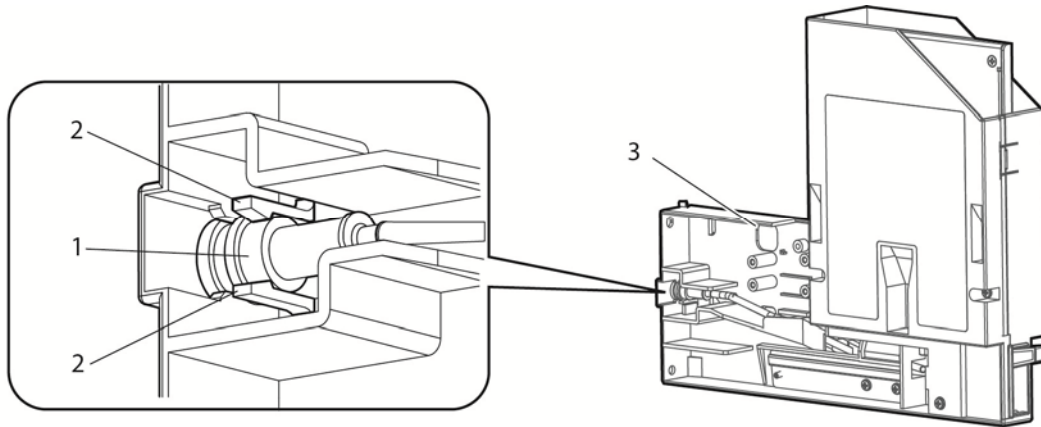
a) Push the adapter's plug into the tube connector completely.

(If difficult, push while turning the adapter's plug with one finger to fully insert it into the connector.)



No.	Part Name
1	Adapter's plug
2	Tube connector

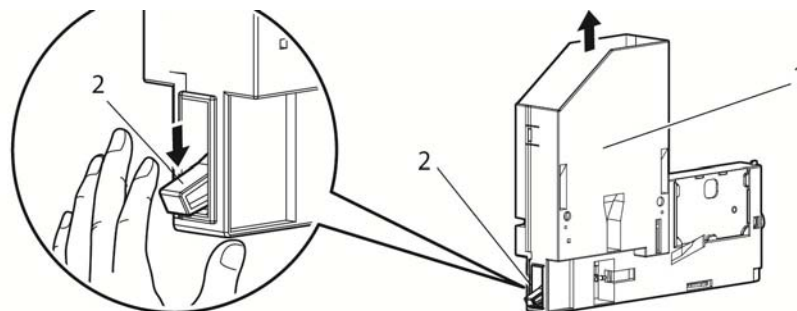
14. Install the tube connector back to the tabs of high-capacity ink pack adapter securely.



No.	Part Name
1	Tube connector
2	Tabs
3	High-capacity ink pack adapter

NOTE

- If the tube connector is not securely installed to the tabs, the high-capacity ink pack adapter may not be installed to the printer correctly.



No.	Part Name
1	High-capacity ink pack adapter
2	Lock lever



MUTOH INDUSTRIES LTD.
Tel.:81-(0)3-6758-7020
Fax:81-(0)3-6758-7025
E-mail:ibd@mutoh.co.jp
[http://www.mutoh.eo.jp/en/
index.html](http://www.mutoh.eo.jp/en/index.html)

MUTOH AMERICA INC.
Tel.:1-480-968-7772
Fax: 1-480-968-7990
E-mail:sales@mutoh.com
<http://www.mutoh.com>

MUTOH BELGIUM nv
Tel.:32-(0)59-561400
Fax:32-(0)59-807117
E-mail:mutoh@mutoh.be
<http://www.mutoh.be>

MUTOH DEUTSCHLAND GmbH
Tel.:49-(0)211-385474-0
Fax:49-(0)211-385474-74
E-mail:vertrieb@mutoh-gmbh.de
<http://www.mutoh.de>

MUTOH North Europe S.A.
Tel.:352-445-906
Fax:352-447-093
E-mail:info@segrouplu
<http://www.segrouplu/>

MUTOH HONGKONG LTD.
Tel.:852-2377-3411
Fax:852-2377-3422
[http://www.mutoh.eo.jp/en/
index.html](http://www.mutoh.eo.jp/en/index.html)

MUTOH SINGAPORE PTE.LTD.
Tel.:65-6325-3150
Fax:65-6220-4342
E-mail:sales_inq@mutoh-sg.com
[http://www.mutoh.eo.jp/en/
index.html](http://www.mutoh.eo.jp/en/index.html)

MUTOH AUSTRALIA PTY. LTD.
Tel.:61-2-9437-1366
Fax:61-2-9436-2871
E-mail:sales@mutoh-au.com
<http://mutoh-au.com/>